



CSL-150 / CSL-150CV

Ceiling
Loudspeakers

Features

- 2 way
- 6.5" woofer with coaxial tweeter
- 60 W /16 Ω
- 70V / 100V transformer for CV models
- Tab for safety cable
- Tile bridge pack



CSL-150 and CSL-150CV are compact ceiling speaker specifically designed for commercial applications. It is an ideal solution for restaurants, theme parks, retail stores, commercial centres, office buildings, airports and other applications where background music and paging are required.

Equipped with a large magnet 6.5" woofer and a coaxial 3/4" dome tweeter, CSL-150 /150CV deliver warm and punchy sound at all levels. The sound reproduction is perfect for both speech and music.

The units operate at 16 Ω or 100V line for the CV version. On CV models a selector is available to switch from low impedance to 100 V taps at 15, 30, 60 W. The 16 Ω output is particularly useful for parallel connections when a 100V line is not required.

CSL-150 /150CV can be installed in a solid or tile ceiling; a tile bridge pack is included with each speaker. The steel back-can is rated to safety standards and offers an easy access to the connections and settings.

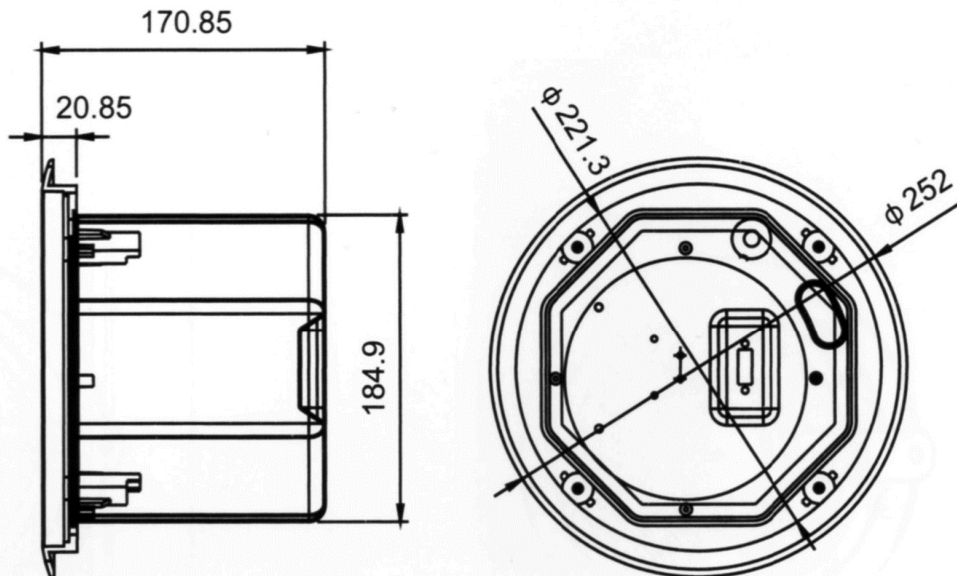


Specifications

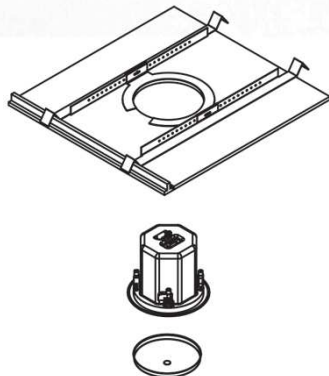
CSL-150 / CSL-150CV

Transducers	6.5" polypropylene woofer (165 mm) 3/4" coaxial dome tweeter (19 mm)
Max power	30 W RMS - 60 W MAX
Output	16 Ω 70 V : 7.5 W, 15 W, 30 W, 60 W (CV models) 100 V : 15 W, 30 W, 60 W (CV models)
Impedance 70V/100V	656 Ω , 328 Ω , 164 Ω , 82 Ω
Frequency response	90 Hz - 20 kHz @ -10 dB
Sensitivity	92 dB (1 m /1 W)
Coverage	100° conical
Outside Dimensions	$\varnothing = 252$ mm, D = 210 mm
Cut-out size	$\varnothing = 225$ mm
Dome	Steel
Mounting	Dog ear flip tabs
Weight	CSL-150: 3.4 kg (7.5 lb) CSL-150CV: 6.3 kg (13.89 lb)
Accessories	Tile ceiling bracket

Specifications subject to modification without notice



CSL-150



SEIKAKU TECHNICAL GROUP LIMITED

NO.1 LANE 17, SEC.2, HAN SHI WEST ROAD, TAICHUNG 40151 TAIWAN

Tel: +886-4-22313737 Fax: +886-4-22346757 www.seikaku.hk