



TC-15AH / TC-15BH / TC-30AH / TC-30BH

25V, 50V, 100V
Horn Speakers

Features

- 15W - 30W
- 100V (A models)
- 25V / 50V (B models)
- 108 - 109 dB SPL
- Aluminum & ABS
- IP66

TC-15AH and TC-30AH are high quality round type Horn Speakers providing performance even in the harshest environments.

A line transformer with tap switch is available for 100V operation (A models) or 25V/70V (B models).

The mounting bracket is of "U" shaped and makes the positioning easy and quick.

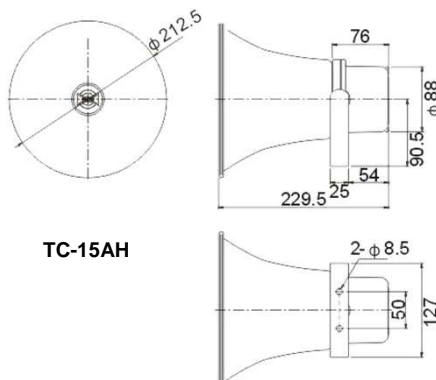
Made of aluminum for the horn flare and ABS resin for inner horn and rear cover, the devices are IP66 and can be used any places indoor or outdoor.



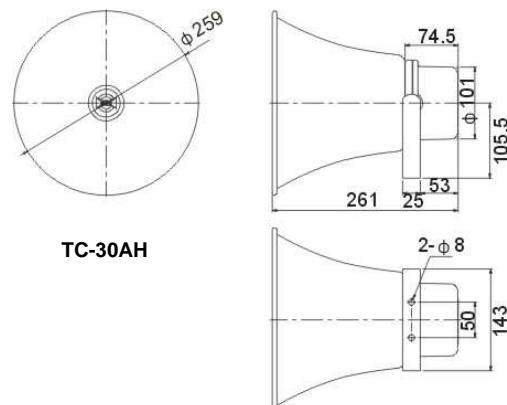
Specifications

MODEL	TC-15AH	TC-15BH	TC-30AH	TC-30BH
Type	Reflex - Round (8")	Reflex - Round (8")	Reflex - Round (10")	Reflex - Round (10")
Rated Input Power	15W	15W	30W	30W
Transformer Tap	1, 3, 5, 10, 15W	1, 3, 5, 10, 15W	1, 3, 5, 10, 15, 30W	1, 3, 5, 10, 15, 30W
Input Impedance (100V)	0.67k, 1k, 2k, 3.3k, 10kΩ	n/a	0.33k, 0.67k, 1k, 2k, 3.3k, 10kΩ	0.33k, 0.67k, 1k, 2k, 3.3k, 10kΩ
Preset Impedance (100V)	670Ω	n/a	330Ω	330Ω
Input Impedance (70V / 25V)	n/a	42, 63, 170Ω (25V only) 330, 500, 1k, 1.3k, 2.3kΩ	n/a	21, 42, 63Ω (25V only) 170, 330, 500, 1k, 1.3k, 2.3kΩ
Preset Impedance (70V / 25V)	n/a	330Ω	n/a	170Ω
Frequency Response	280 Hz ~ 12.5 kHz	280 Hz ~ 12.5 kHz	250 Hz ~ 16 kHz	250 Hz ~ 16 kHz
SPL (1W/1m)	108 dB	108 dB	109 dB	109 dB
Coverage (at 1kHz)	80° conical	80° conical	90° conical	90° conical
Material	Horn flare: Aluminum Inner horn & rear cover: ABS	Horn flare: Aluminum Inner horn & rear cover: ABS	Horn flare: Aluminum Inner horn & rear cover: ABS	Horn flare: Aluminum Inner horn & rear cover: ABS
Bracket	"U" shaped	"U" shaped	"U" shaped	"U" shaped
Protection Rate	IP66	IP66	IP66	IP66
Dimensions (Diam. x L)	212.5 x 229	212.5 x 229	259 x 261	259 x 261
Weight	1.76 kg	1.76 kg	2.14 kg	2.14 kg
Pantone	Cool gray 6C	Cool gray 6C	Cool gray 6C	Cool gray 6C

Specifications subject to modification without notice



TC-15AH



TC-30AH

SEIKAKU TECHNICAL GROUP LIMITED

NO.1 LANE 17, SEC.2, HAN SHI WEST ROAD, TAICHUNG 40151 TAIWAN

Tel: +886-4-22313737 Fax: +886-4-22346757 www.seikaku.hk

Specifications

MODEL	TC-15AH	TC-15BH	TC-30AH	TC-30BH
Type	Reflex - Round (8")	Reflex - Round (8")	Reflex - Round (10")	Reflex - Round (10")
Rated Input Power	15W	15W	30W	30W
Transformer Tap	1, 3, 5, 10, 15W	1, 3, 5, 10, 15W	1, 3, 5, 10, 15, 30W	1, 3, 5, 10, 15, 30W
Input Impedance (100V)	0.67k, 1k, 2k, 3.3k, 10kΩ	n/a	0.33k, 0.67k, 1k, 2k, 3.3k, 10kΩ	0.33k, 0.67k, 1k, 2k, 3.3k, 10kΩ
Preset Impedance (100V)	670Ω	n/a	330Ω	330Ω
Input Impedance (70V / 25V)	n/a	42, 63, 170Ω (25V only) 330, 500, 1k, 1.3k, 2.3kΩ	n/a	21, 42, 63Ω (25V only) 170, 330, 500, 1k, 1.3k, 2.3kΩ
Preset Impedance (70V / 25V)	n/a	330Ω	n/a	170Ω
Frequency Response	280 Hz ~ 12.5 kHz	280 Hz ~ 12.5 kHz	250 Hz ~ 16 kHz	250 Hz ~ 16 kHz
SPL (1W/1m)	108 dB	108 dB	109 dB	109 dB
Coverage (at 1kHz)	80° conical	80° conical	90° conical	90° conical
Material	Horn flare: Aluminum Inner horn & rear cover: ABS	Horn flare: Aluminum Inner horn & rear cover: ABS	Horn flare: Aluminum Inner horn & rear cover: ABS	Horn flare: Aluminum Inner horn & rear cover: ABS
Bracket	"U" shaped	"U" shaped	"U" shaped	"U" shaped
Protection Rate	IP66	IP66	IP66	IP66
Pantone	Cool gray 6C	Cool gray 6C	Cool gray 6C	Cool gray 6C
Weight	1.76 kg	1.76 kg	2.14 kg	2.14 kg

Specifications subject to modification without notice

