



# CSR-105 / CSR-206

Pendant Speakers

## Features

- 5" - 6.5" full-range transducer
- 10 - 20W
- 70V / 100V
- 8Ω

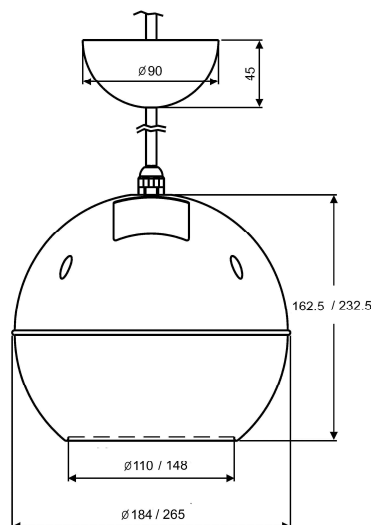
CSR Series includes two models of pendant speakers especially designed for applications where high distances between the ceiling and the floor become critical. It features a 5" or 6.5" full range driver mounted in a stylish spherical ABS box. CSR Series is available with 70V and 100V transformers including a 8Ω tap position.



## Specifications

| MODEL              | CSR-105  | CSR-206  |
|--------------------|--|--|
| Transducer         | 5" full-range  | 6.5" full-range  |
| Input power        | Rated 10W / Max. 20W                                       | Rated 20W / Max. 40W   |
| Output power       | 2.5W / 5W / 10W / 8Ω                                       | 5W / 10W / 20W / 8Ω  |
| Input voltage      | 70V, 100V  | 70V, 100V  |
| Input impedance    | 100V : 4kΩ / 2kΩ / 1kΩ / 8Ω<br>70V : 2kΩ / 1kΩ / 490Ω / 8Ω | 100V : 2kΩ / 1kΩ / 500Ω / 8Ω<br>70V : 1kΩ / 500Ω / 245Ω / 8Ω |
| Input voltage      | 70V, 100V  | 70V, 100V  |
| Frequency response | 110~15kHz (-10dB)  | 110~20kHz (-10dB)  |
| SPL (1W/m)         | 92dB   | 94dB   |
| Dimension          | Diam. 184 x 162.5 mm                                       | Diam. 265 x 232.5 mm   |
| Weight             | 1.7kg (3.75lbs)  | 2.2kg (4.85lbs)  |

Specifications subject to modification without notice



SEIKAKU TECHNICAL GROUP LIMITED

NO.1 LANE 17, SEC.2, HAN SHI WEST ROAD, TAICHUNG 40151 TAIWAN

Tel: +886-4-22313737 Fax: +886-4-22346757 www.seikaku.hk

2019 V.1