



CSL-615T

Ceiling Speaker

Features

- 15W
- 6.5" transducer
- 50, 70, 100V operation
- 92 dB SPL

CSL-615T is a ceiling speakers dedicated to public address for foreground or background music. The 6.5" full range transducer delivers up to 15W in either 70V or 100V mode using wiring taps on the transformer.

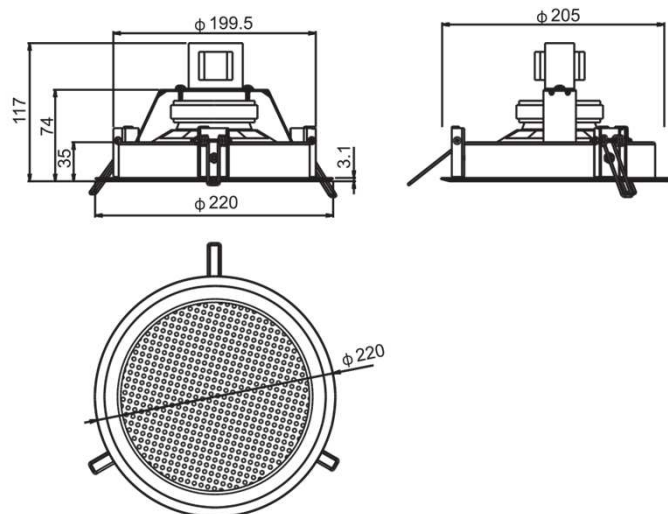
Made of a metal frame and a metal grille, the CSL-615T is very robust and easy to install in any place.



Specifications

| MODEL | CSL-615T |
|------------------------|------------------------------|
| Type | 100, 70, 50V |
| Transducer | 6.5" (8 Ohms) |
| Rated Input Power | 15W |
| Transformer Tap | 3.75, 7.5, 15W |
| Input Impedance (100V) | 666, 1.33k, 2.66k Ohms |
| Input Impedance (70V) | 326, 666, 1.33k Ohms |
| Input Impedance (50V) | 166, 326, 666 Ohms |
| Frequency Response | 100 Hz ~ 20 kHz |
| SPL (1W/1m) | 92 dB |
| Material | Metal frame, metal grille |
| Protection | N/A |
| Dimensions (Diam. x L) | 220 x 117 mm (8.66" x 4.60") |
| Weight (Without dome) | 1.6 kg (3.52 lbs.) |

Specifications subject to modification without notice



SEIKAKU TECHNICAL GROUP LIMITED

NO.1 LANE 17, SEC.2, HAN SHI WEST ROAD, TAICHUNG 40151 TAIWAN

Tel: +886-4-22313737 Fax: +886-4-22346757 www.seikaku.hk

2019 V.2