



CSL-410

Ceiling Speaker

Features

- 10W
- 4" transducer
- 50, 70, 100V operation
- 92 dB SPL

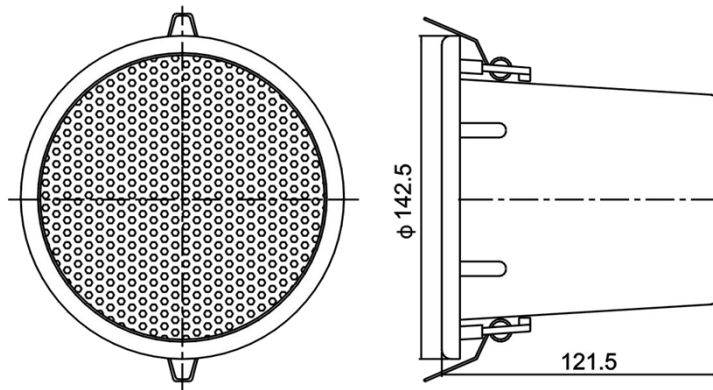
CSL-410 is a small size in ceiling speakers dedicated to installation where space is limited or where the decor requires "invisible" components. Despite its tiny volume, CSL-410 is equipped with a full band 4" transducer which offers high quality sound reproduction especially for music background.



Specifications

MODEL	CSL-410
Type	50, 70, 70V
Transducer	4" (8 Ohms)
Rated Input Power	10W
Transformer Tap	2.5, 5, 10W
Input Impedance (100V)	1k, 2k, 4k Ohms
Input Impedance (70V)	490, 1k, 2k Ohms
Input Impedance (50V)	250, 490, 1k Ohms
Frequency Response	100 Hz ~ 16 kHz
SPL (1W/1m)	92 dB
Material	ABS frame, metal grille
Dimensions (Diam. x L)	142.5 x 121.5 mm (5.61" x 4.78")
Weight	0.807 kg (1.77 lbs.)

Specifications subject to modification without notice



SEIKAKU TECHNICAL GROUP LIMITED

NO.1 LANE 17, SEC.2, HAN SHI WEST ROAD, TAICHUNG 40151 TAIWAN

Tel: +886-4-22313737 Fax: +886-4-22346757 www.seikaku.hk

2019 V.2